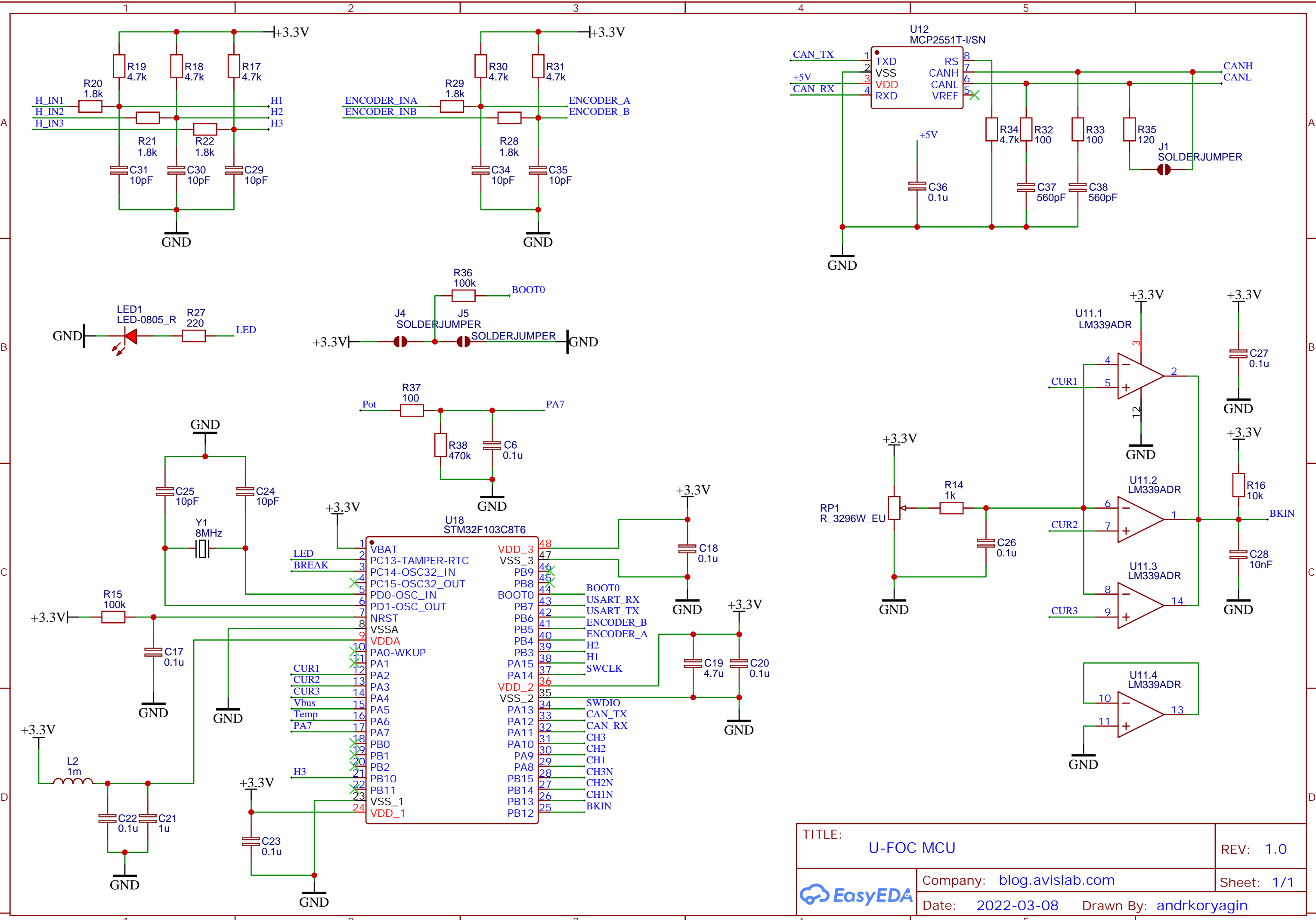
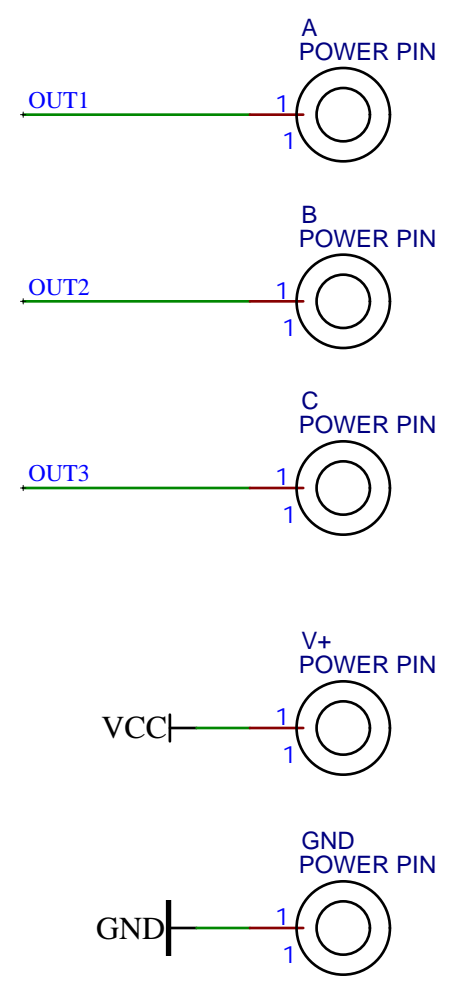
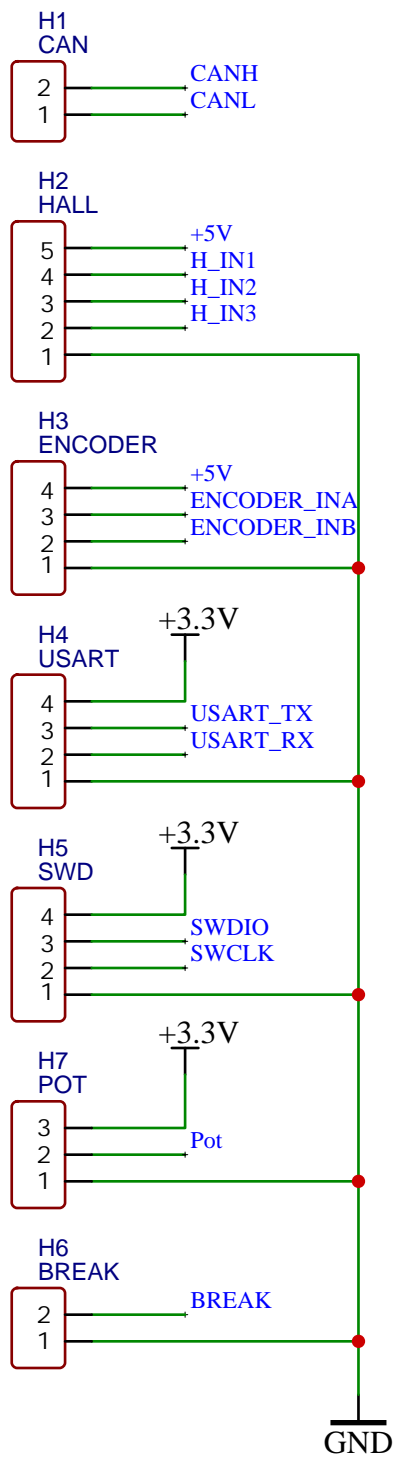


TITLE: U-FOC Power		REV: 1.0
EasyEDA	Company: blog.avislabs.com	Sheet: 1/1
	Date: 2022-03-07	Drawn By: Andrey Koryagin



TITLE: U-FOC MCU		REV: 1.0
	Company: blog.avislab.com	Sheet: 1/1
	Date: 2022-03-08	Drawn By: andrkoryagin



TITLE: U-FOC Connectors		REV: 1.0
	Company: Your Company	Sheet: 1/1
	Date: 2022-03-24	Drawn By: andrkoryagin